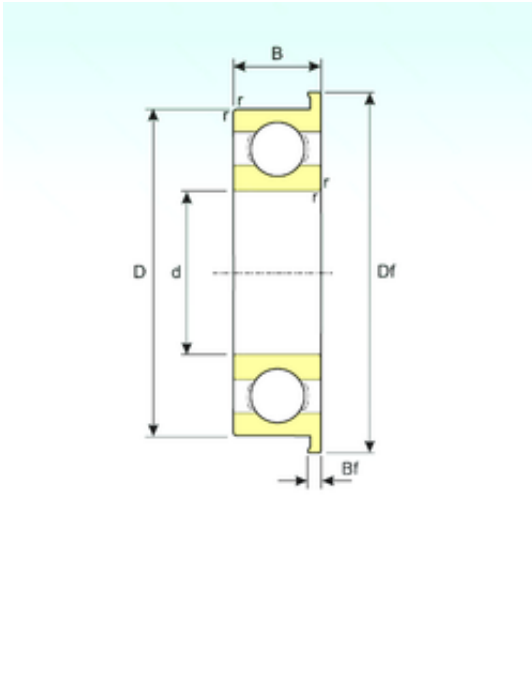




NTN BEARING USA CORP.



F6700 Bearing 2D drawings and 3D CAD models

Flanged Thin Wall Deep Groove Ball Bearings
F6700 2RS, F6701 2RS, F6702 2RS, F6800 2RS,
F6801 2RS, F6802 2RS, F6900 2RS, F6901 2RS,
F6902 2RS ABEC-1

Bearing No. F6700

Dimensione	10x15x3 mm
Marchio	ISB
Diametro del foro	10 mm
Diametro esterno	15 mm
Larghezza	3 mm
d	10 mm
D	15 mm
B	3 mm
C	3 mm
Bf	0,8 mm
Df	16,5 mm
r min.	0,15 mm
Carico dinamico di base (C)	0,85 kN